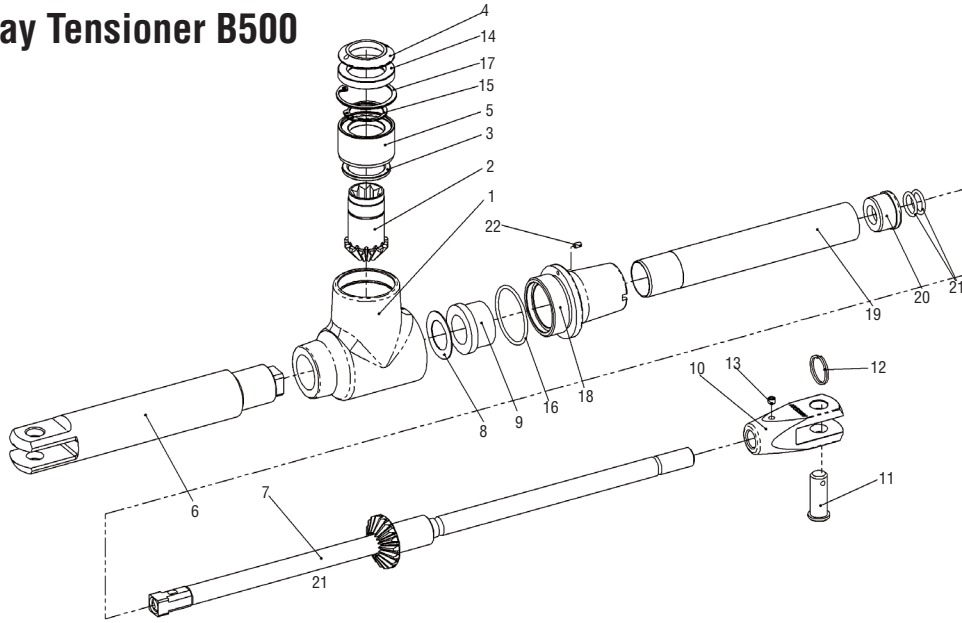


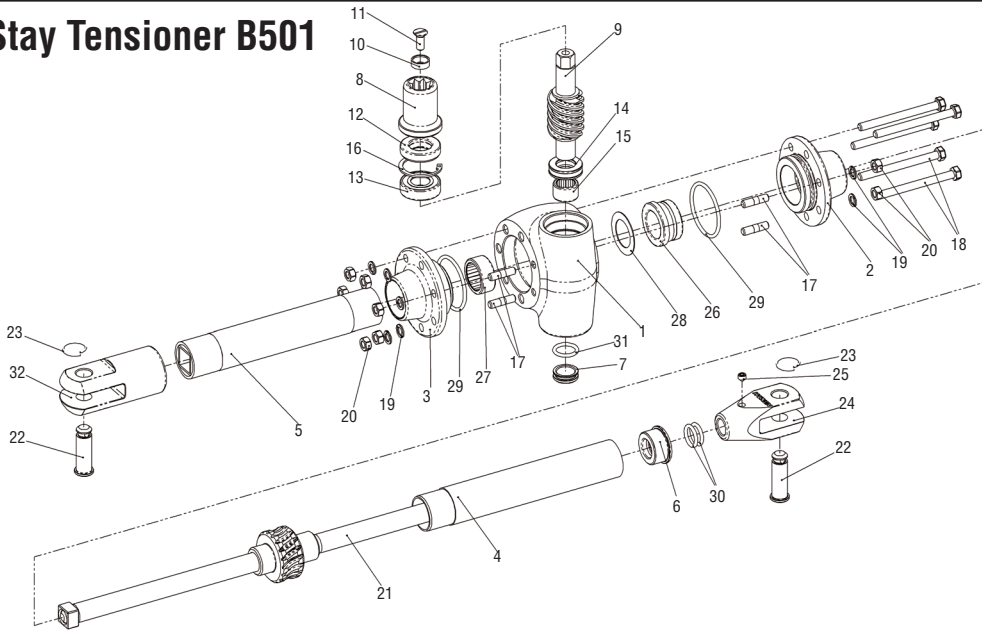
Stay Tensioner B500



Part List

Pos	Q.ty	Code	Description
1	1	1618	Stay tensioner gear box
2	1	2386	Bevel pinion
3	1	1616	Shoulder ring
4	1	1617	Ring
5	1	1615	Bushing
6	1	2370	Stay tensioner sleeve
7	1	701325	Tensioner Assy
8	1	6006	Washer
9	1	6005	Trust bearing
10	1	1332	Upper fork
11	1	3017	Pin
12	1	1133	Spring ring
13	1	6336	Set screw M6x6 UNI 5927
14	1	6120	Sealer 30x47x7
15	1	6091	Seeger ring UNI 7435:1975-30
16	1	6035	Saealer OR 3181
17	1	6092	Seeger ring UNI 7435:1975-47
18	1	27023	Threaded flange
19	1	27022	Stay tensioner upper sleeve
20	1	27024	Bushing
21	2	6137	Sealer OR 121
22	1	6050	Ser screw M4x6

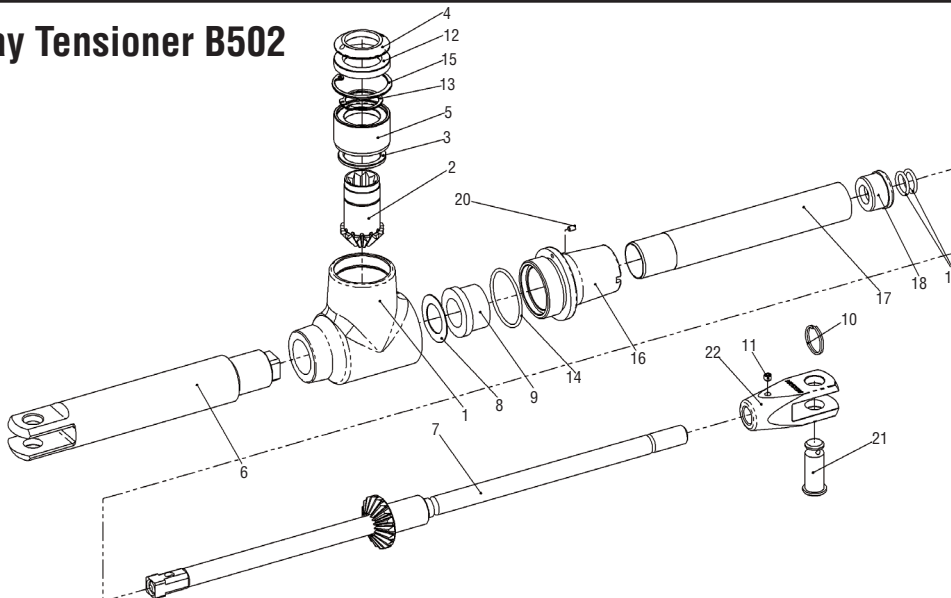
Stay Tensioner B501



Part List

Pos	Q.ty	Code	Description
1	1	2387	Housing for stay tensioner
2	1	1247	Upper flange
3	1	1248	Lower flange
4	1	1252	Connective tube
5	1	1255	Rail tube for stay tensioner
6	1	1253	Bushing for stay tensioner
7	1	2237	Plug stay tensioner
8	1	42222	Handle socket
9	1	42221	Worm screw tensioner
10	1	1709	Washer
11	1	6143	Screw M8x20 UNI 6109
12	1	6122	Seal 20x42x10
13	1	6123	Bearing 42x40x12
14	1	6124	Trust bearing 34x20x10
15	1	6125	Bearing 26x20x15
16	1	6090	Ring UNI 7437:1975-42
17	4	539	Stud screw M8x30
18	5	3253	M8x95-A4
19	9	6031	Washer 8.4 U1751 DIN 127 A2
20	9	6029	NUT M8-UNI 5588-A4
21	1	701251	Tensioner assy
22	2	34093	Pin
23	2	1133	Spring ring
24	1	1254	Upper fork
25	1	6370	Stud screw M8x8 UNI 5927
26	1	6126	Trust bearing
27	1	6128	Bearing 38x30x16
28	1	6127	Washer 47x30x0.8
29	2	6129	OR 156
30	2	6133	OR 3081
31	1	6349	OR 128
32	1	1259	Lower fork

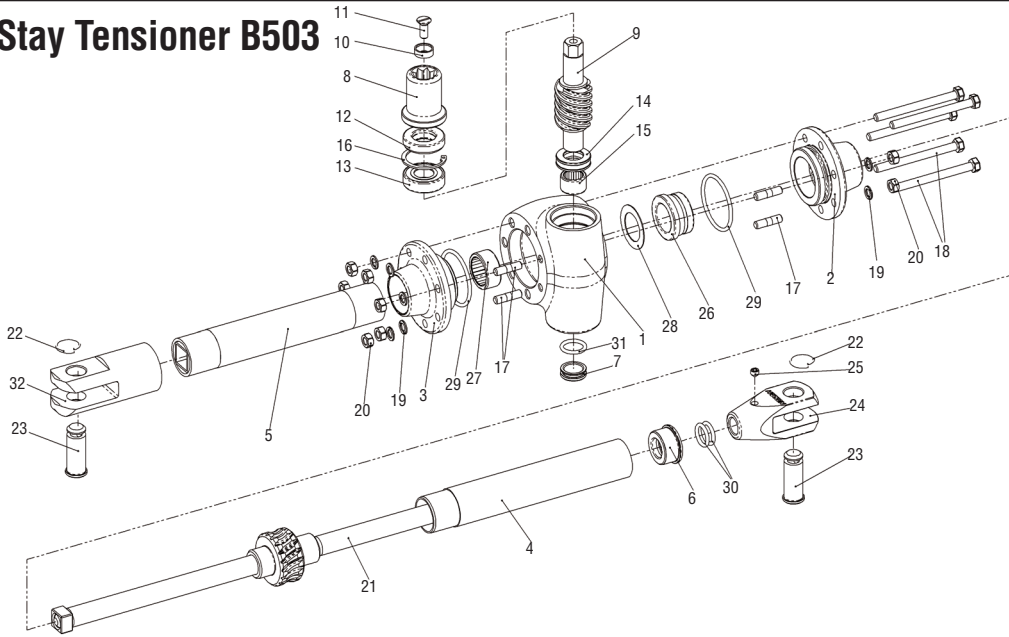
Stay Tensioner B502



Part List

Pos	Q.ty	Code	Description
1	1	1618	Stay tensioner gear box
2	1	2386	Bevel pinion
3	1	1616	Shoulder ring
4	1	1617	Ring
5	1	1615	Bushing
6	1	30717	Stay tensioner sleeve
7	1	701325	Tensioner assy
8	1	6006	Washer
9	1	6005	Trust bearing
10	1	1333	Spring ring
11	1	6336	Set screw M6x6 UNI 5927
12	1	6120	Sealer 30x47x7
13	1	6091	Seeger ring UNI 7435:1975-30
14	1	6035	Saealer OR 3181
15	1	6092	Seeger ring UNI 7435:1975-47
16	1	27023	Threaded flange
17	1	27022	Stay tensioner upper sleeve
18	1	27024	Bushing
19	2	6137	Saealer OR 121
20	1	6050	Set screw M4x6
21	1	3018	Pin
22	1	31370	Upper fork

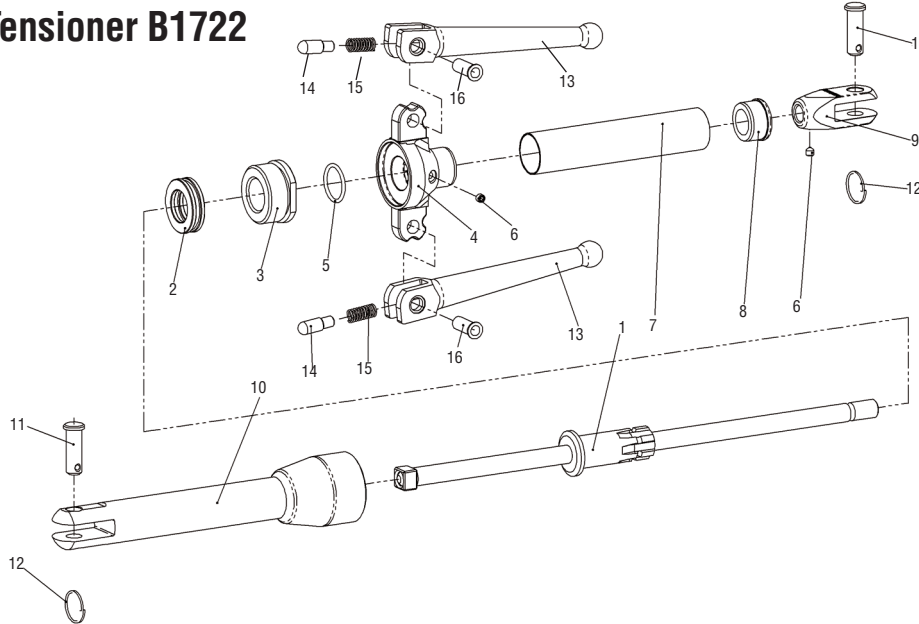
Stay Tensioner B503



Part List

Pos	Q.ty	Code	Description
1	1	2387	Housing for stay tensioner
2	1	1247	Upper flange
3	1	1248	Lower flange
4	1	1252	Connective tube
5	1	701255	Rail tube for stay tensioner
6	1	1253	Bushing for stay tensioner
7	1	2237	Plug stay tensioner
8	1	42222	Handle socket
9	1	42221	Worm screw tensioner
10	1	1709	Washer
11	1	6143	Screw M8x20 UNI 6109
12	1	6122	Seal 20x42x10
13	1	6123	Bearing 42x40x12
14	1	6124	Trust bearing 34x20x10
15	1	6125	Bearing 26x20x15
16	1	6090	Ring UNI 7437:1975-42
17	4	539	Stud screw M8x30
18	5	3253	M8x95-A4
19	9	6031	Washer 8.4 U1751 DIN 127 A2
20	9	6029	NUT M8-UNI 5588-A4
21	1	701251	Tensioner assy
22	2	1133	Spring ring
23	2	30709	Pin
24	1	30706	Upper fork
25	1	6370	Stud screw M8x8 UNI 5927
26	1	6126	Trust bearing
27	1	6128	Bearing 38x30x16
28	1	6127	Washer 47x30x0.8
29	2	6129	OR 156
30	2	6133	OR 3081
31	1	6349	OR 128
32	1	30707	Lower fork

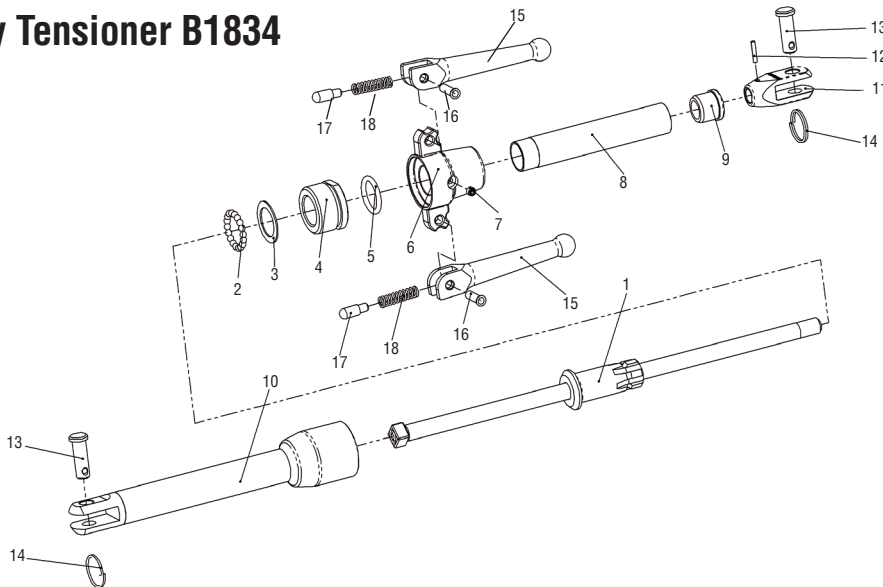
Stay Tensioner B1722



Part List

Pos	Q.ty	Code	Description
1	1	705756	Tensioner assy
2	1	6399	Bearing 51105 25x42x11
3	1	5847	Screw bush tensioner 5665
4	1	5846	Handle tensioner support
5	1	6333	Ring 3100
6	2	6336	Set screw M6x6 UNI 5927
7	1	1732	Joint tube
8	1	1731	Tensioner plug
9	1	5759	Upper fork
10	1	5758	Fork
11	2	3016	Screw M8x20 UNI 6109
12	2	1133	Spring ring
13	2	35278	Hand lever stay tensioner
14	2	1737	Lock handle screw
15	2	1738	Spring
16	2	1734	Rivett

Stay Tensioner B1834



Part List

Pos	Q.ty	Code	Description
1	1	705751	Tensioner Assy
2	18	6337	Ball 3/16
3	1	1845	Washer 22.5x32x1
4	1	5848	Screw bush tensioner 5664
5	1	6489	Ring 4087
6	1	5750	Handle tensioner support
7	1	6336	Set screw M6x6 UNI 5927
8	1	1848	Joint tube
9	1	3037	Tensioner plug
10	1	5755	Complete sleeve
11	1	5754	Upper fork
12	1	6011	Spring pin 3x24 DIN 1481
13	2	3015	Pin
14	2	1133	Spring ring
15	2	35277	Hand lever
16	2	5773	Rivett
17	2	185	Lock handle screw
18	2	1852	Spring