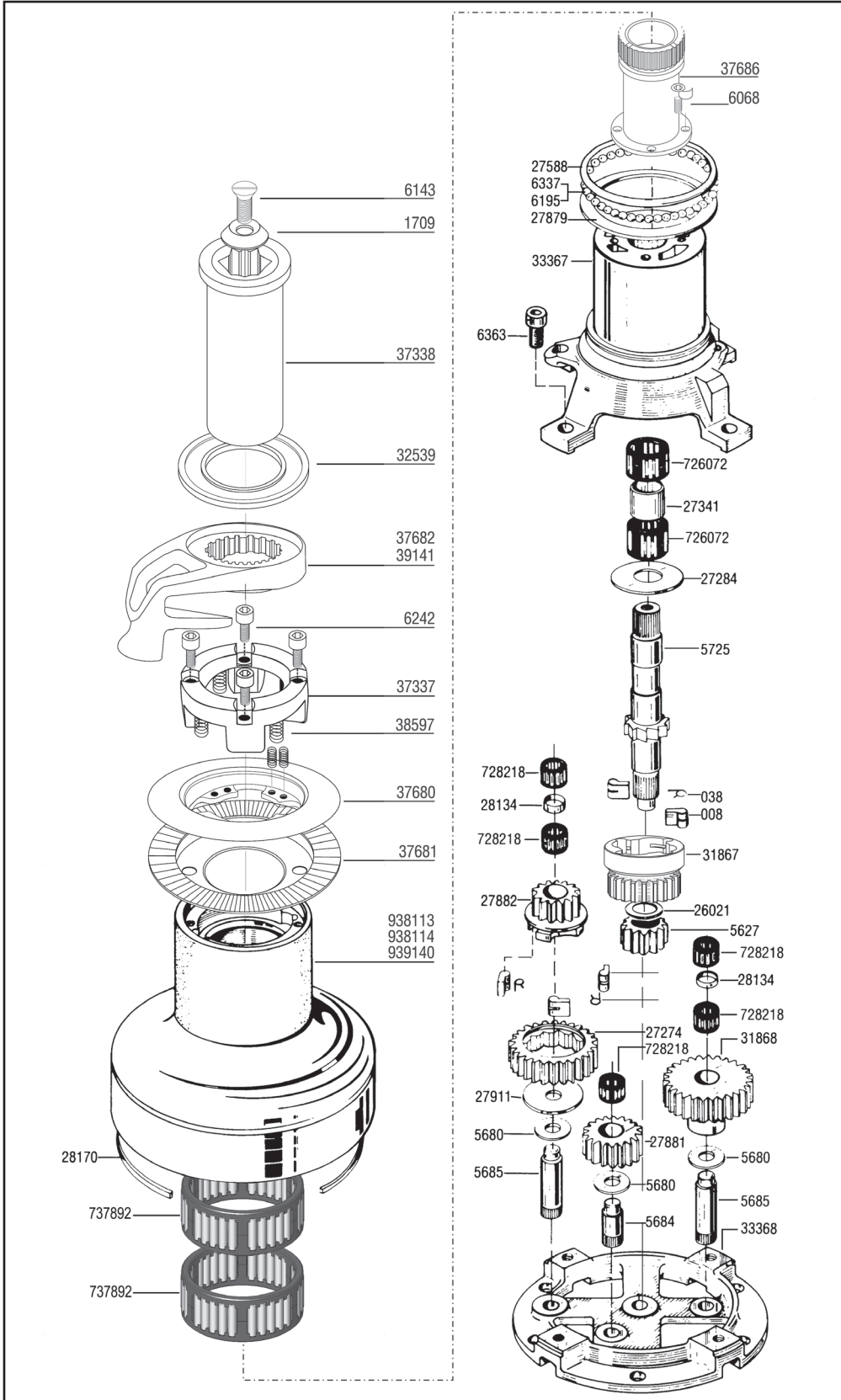


HARKEN®

53.2st

Two Speed Self-Tailing Winch

Winch Parts Installation Service



Required Tools

Screwdriver
Allen Wrench (6 mm)
Allen Wrench (5 mm for Self Tailing)
Plastic Head Hammer or Mallet
Small Knife
Brush
Rags
Solvent
Oil
Grease

Parts List

008	Pawl
038	Pawl Spring
1709	Plastic Washer
5627	Gear
5680	Washer
5684	Gear Shaft
5685	Gear Shaft
5725	Spindle
6068	Screw
6143	Top Screw
6195	Delrin Ball
6242	Screw
6337	Stainless Steel Ball
6363	Screw
26021	Washer
27274	Ratchet Gear
27284	Washer
27341	Bearing Spacer
27588	Thrust Bearing
27879	Thrust Washer
27881	Gear
27882	Pawl Gear
27911	Cover Plate
28134	Bearing Spacer
28170	Red Line Ring
31867	Pawl Gear
31868	Gear
32539	Top Cap
33367	Center Stem
33368	Base
37337	Springs Support
37338	Handle Socket
37680	Upper Jaw
37681	Lower Jaw
37682	Chrome Stripper Arm
37686	Stripper Arm Support
38597	Spring
39141	Bronze Stripper Arm
726072	Bearing
737892	Bearing
728218	Bearing
938113	Aluminum Drum
938114	Chrome Drum
939140	Bronze Drum

Suggested Service Kits

BK4512	10	008 Pawls
	10	038 Springs
BK4513	100 ml	Grease

When ordering parts for service, please include a "B" before each number (i.e. B008)

Service winch before the sailing season begins and once during.

■ **Installing Winch**

- Make sure mounting surface is flat.
- Check sheet entry angle. Should be at least 8° (see drawing).
- Open winch.
- Position winch on deck with drive gear where sheet enters winch drum. Mark holes.
- Remove winch and drill holes.
- Mount using five (5) 5/16" (8 mm) flathead machine screws.
- Apply bedding compound. Bolt winch to boat.
- Clean excess bedding compound from base drain holes.
- Lubricate and close winch.

■ **Minimum/Maximum Line Diameter**

- Harken winches feature spring-loaded self-tailing jaws which adjust automatically to the following line sizes:
- Minimum 5/16" (8 mm)
- Maximum 9/16" (14 mm)

■ **Positioning Stripper Arm**

- Loosen top screw.
- Remove handle socket.
- Lift stripper arm and position as desired.

■ **Opening Winch**

- Remove top screw.
- Lift off drum and stripper arm.

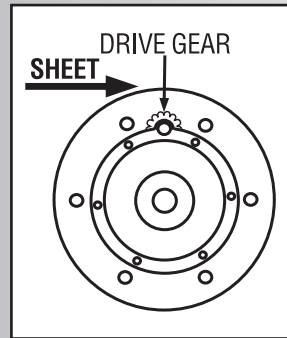
■ **Servicing Winch**

- Remove bearings from center stem.
- Drum support bearing 27588/6337/27879 cannot be removed; clean with solvent and lubricate lightly with grease.
- Remove allen screws holding center stem to base.
- Remove center stem carefully.
- Remove pawls and springs - service as below.
- Remove all bearings, gear shafts and gears.
- Clean all parts except 37337, 37680 and 37681 with rag and solvent.
- Important: Use freshwater only on parts 37337, 37680 and 37681.
- Use brush to lubricate all gears, gear shafts, bearings, teeth and all moving parts lightly with grease.
- Replace pawls and springs and lubricate lightly with oil.
- Assemble and close winch.

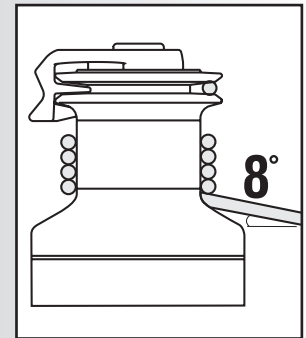
■ **Servicing Pawls**

- Catch spring with knife and hold against pawl.
- Lift out pawl.
- Clean and check for wear.
- Place spring against pawl with straight leg against pawl.
- Hold spring closed and slip pawl into pawl socket.
- Lubricate pawls using oil.

Mounting

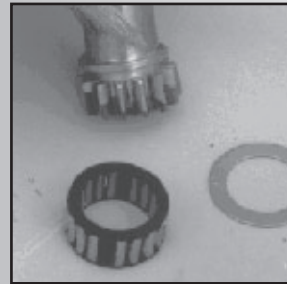


Position drive gear where sheet enters winch drum.

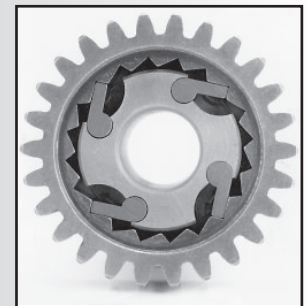


Sheet entry angle must be at least 8°.

Servicing Winch



Clean all parts, except 37337, 37680, and 37681, with solvent.

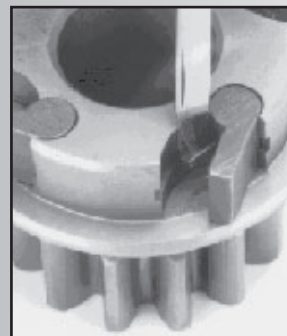


Use a brush to spread a light, even coat of grease.

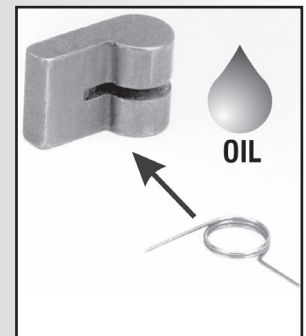


If ratchet gear is mounted backwards, winch will slip.

Servicing Pawls



Use knife to free captive spring.



Insert spring with straight leg against pawl. Use oil for lubrication.

