
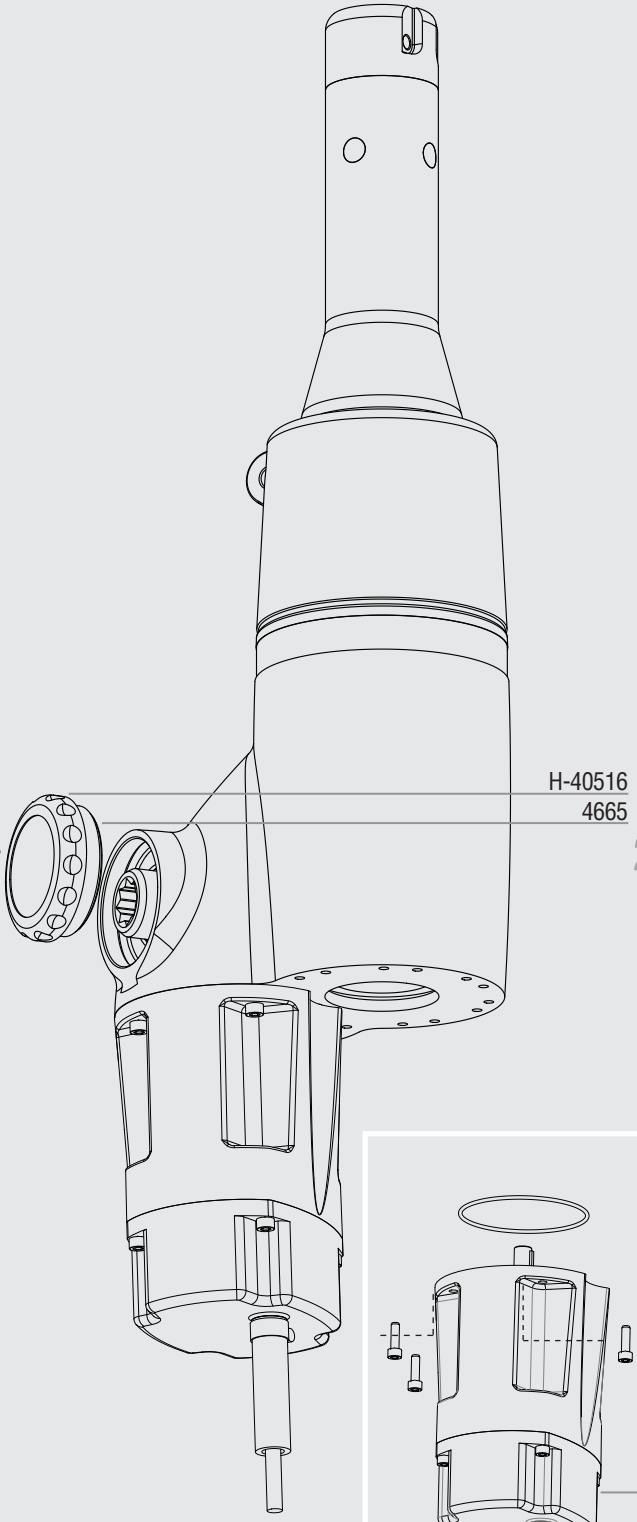
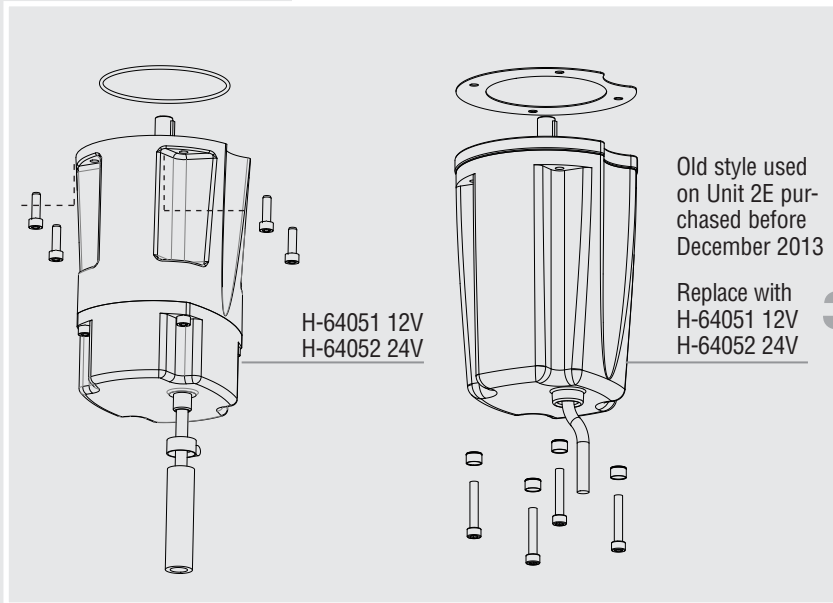


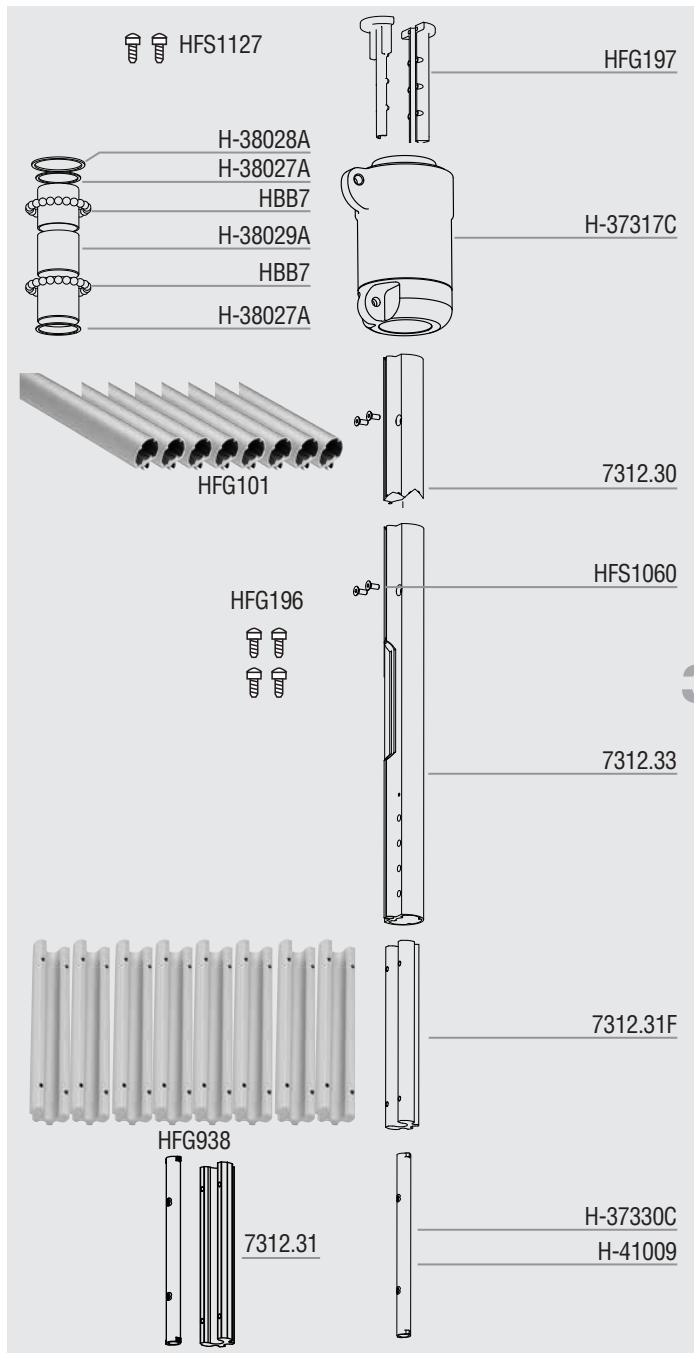
7312.13BASE 12V / 7312.13BASE 24V

 H-41154 **1**



	Description	Order	Part No
1	Torque Tube Screws	2	H-41154
2	Lower Unit 12V	1	7312.13BASE 12V
	Manual Drive Cap	1	H-40516
	Cap Safety Label	1	4665
	Lower Unit 24V	1	7312.13BASE 24V
	Manual Drive Cap	1	H-40516
	Cap Safety Label	1	4665
3	Motor Housing Kit 12V	1	H-64051
	Motor Housing Kit 24V	1	H-64052

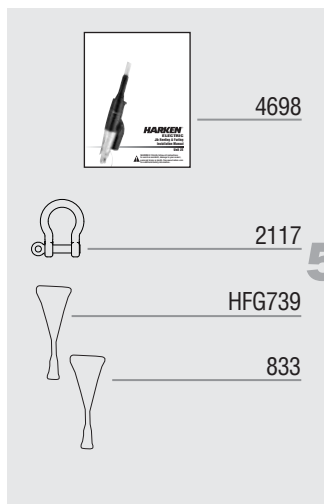




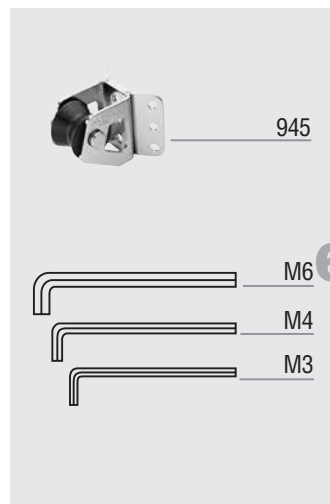
3

Description	Order	Part No.
Trim Cap Set w/o Screws	1	HFG197
Trim Cap Screw	2	HFS1127
Halyard Swivel	1	H-37317C
Clip/Smally Ring for Balls	1	H-38028A
Clip/Smally Ring for liners	2	H-38027A
Liner/Igus	3	H-38029A
Turlon Ball Bearings	44	HBB7
Foil Set	1	HFG101
Foil (7/2.13 m Luff)	8	7312.30
Foil (2/610 mm) Bottom	1	7312.33
Foil (2/610 mm) Bottom w/Feeder	1	7312.33
Connector Set (8)	1	HFG938
Connector	8	7312.31F
Connector Screw Set	1	HFG196
Connector Screw	30	HFS1060
Connector Isolator	8	H-37330C
Connector Isolator (7/16", 11 mm, 12 mm Wire)	9	H-41009
Connector w/H-37330C		7312.31

3



5



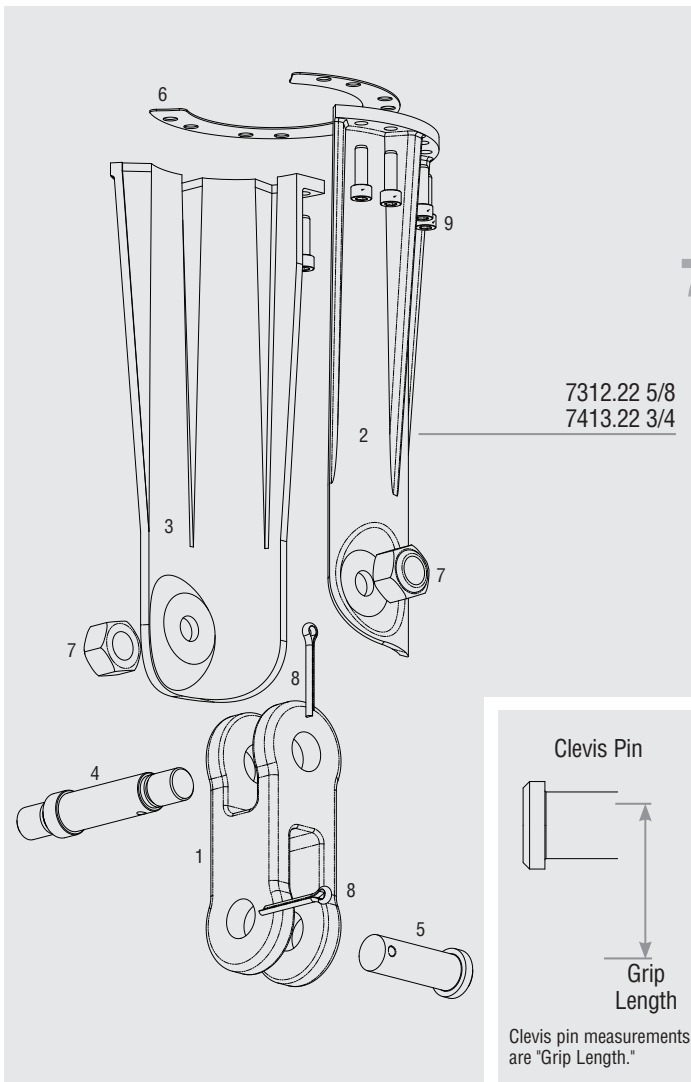
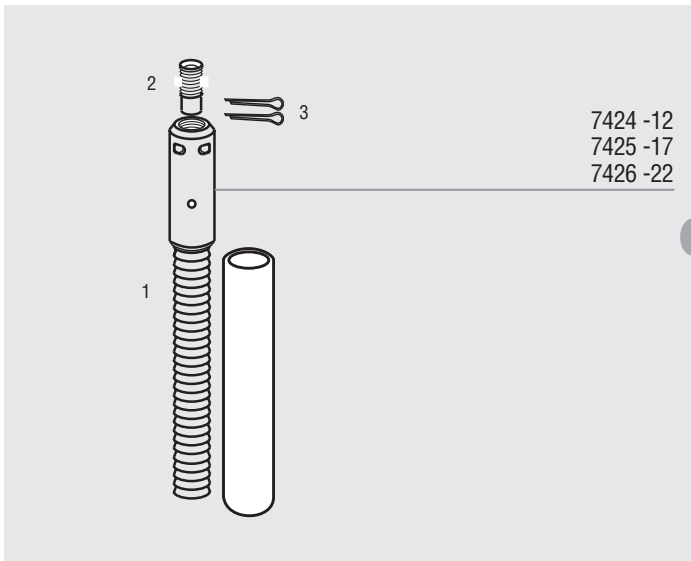
6

4

Description	Order	Part No.
Instruction Manual	1	4698
Shackle	3	2117
Red Loctite®	2	HFG739
Blue Loctite®	1	833

5

Description	Order	Part No.
Halyard Restrainer	1	945
Sheave/SS Inner Race Only	1	945A
Clevis Pin (1/4" x 1.0625" 18-8)	1	HCP208
Bracket-Large	1	HCP394
Cotter Pin (1/16" x .500" 18-8)	1	HFS181
Hex Keys		
M6	1	HFG644
M4	1	HFG640
M3	1	HCP1089



No.	Description	Order	Part No.
6	Rod Adapter Stud w/Nosepiece -12 Rod	1	7424 -12
1	Stud (Main Body)	1	H-41531
2	Nosepiece	1	H-41527
3	Cotter Pin	2	HFG193
	Rod Adapter Stud w/Nosepiece -17 Rod	1	7425 -17
1	Stud (Main Body)	1	H-41531
2	Nosepiece	1	H-41526
3	Cotter Pin	2	HFG193
	Rod Adapter Stud w/Nosepiece -22 Rod	1	7426 -22
1	Stud (Main Body)	1	H-41812
2	Nosepiece	1	H-41811
3	Cotter Pin	2	HFG319

No.	Description	Order	Part No.
7	Jaw/Jaw Toggle w/Link Plates—5/8" Pin	1	7312.22 5/8
1	5/8" Toggle	1	H-41300
2	Starboard leg of link plate	1	H-51527
3	Port leg of link plate	1	H-51520
4	Crosspin-.872" x 4.15"	1	H-51528
5	Clevis pin-5/8" x 1"	1	H-42397
6	Rubber isolator	1	H-44998
7	M12 Nylock nut	2	HFS937
8	Cotter pin-5/32" x 1.250"	2	HFS203
9	Link plate screws M6 x 1 x 20	10	HFS748
	Jaw/Jaw Toggle w/Link Plates—3/4" Pin	1	7413.22 3/4
1	3/4" Toggle	1	H-41489
2	Starboard leg of link plate	1	H-47224
3	Port leg of link plate	1	H-47181
4	Crosspin-.747 x 4.15	1	H-42583
5	Clevis pin-3/4" x 1.7"	1	H-42403
6	Rubber isolator	1	H-44998
7	M16 Nylock nut	2	HFS991
8	Cotter pin-5/32" x 1.250"	2	HFS203
9	Link plate screws M6 x 1 x 20	10	HFS748