

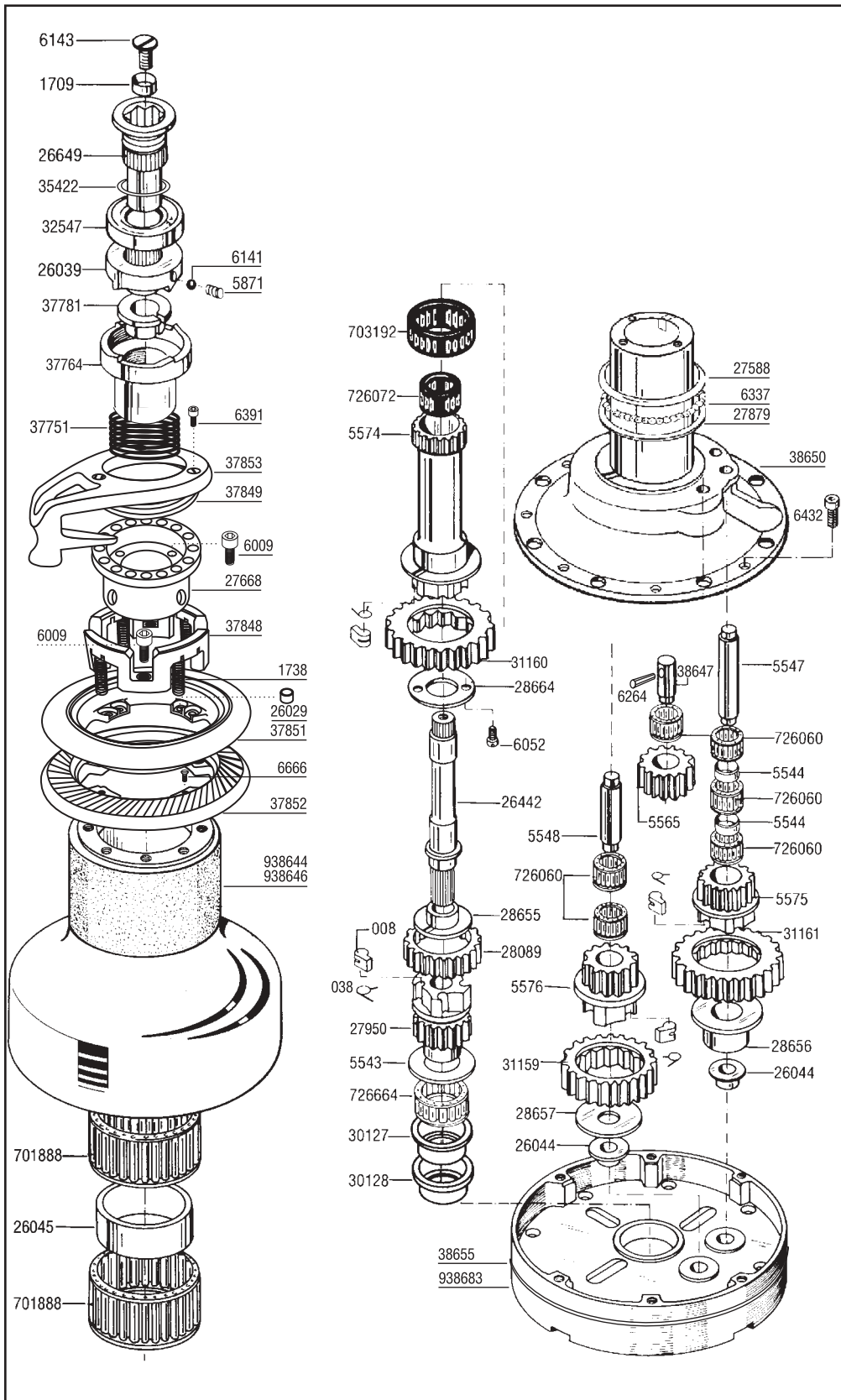
64.3st

Three Speed Self-Tailing Winch Winch Parts · Installation · Service

HARVEY

Parts List

008	Pawl
038	Pawl
1709	Plastic Washer
1738	Spring
5543	Washer
5544	Spacer
5547	Gear Shaft
5548	Gear Shaft
5565	Gear
5574	First Gear Drive Shaft
5575	Pawl Gear
5576	Pawl Gear
5871	Spring
6009	Screw
6052	Screw
6081	Screw
6141	Ball
6143	Top Screw
6264	Pin
6337	Ball
6391	Screw
6432	Screw
6666	Screw
26029	Plastic Washer
26039	Upper Drive Ring
26044	Plastic Bushing
26045	Spacer
26442	Center Spindle
26649	Handle Socket
27588	Thrust Bearing
27668	Stripper Arm Support
27879	Thrust Washer
27950	Pawl Gear
28089	Ratchet Gear
28655	Washer
28656	Bushing
28657	Washer
28664	Cover Plate
30127	Bushing
30128	Plastic Bushing
31159	Ratchet Gear
31160	Ratchet Gear
31161	Ratchet Gear
32547	Top Cap
35422	Ring
37751	Spring
37764	Lower Drive Ring
37781	Guide Bushing
37848	Springs Support
37849	Cover
37851	Upper Jaw
37852	Lower Jaw
37853	Stripper Arm
38647	Gear Shaft
38650	Center Stem
38655	Red Ring
701888	Bearing
703192	Bearing
726060	Bearing
726072	Bearing
726664	Bearing
938644	Aluminum Drum
938646	Chrome Drum
938683	Base



When ordering parts for service, please include a "B" before each number (i.e. B008)

Service winch before the sailing season begins and once during.

Required Tools

Screwdriver	Rags
Allen Wrench (6 mm)	Solvent
Allen Wrench (5 mm)	Oil
Plastic Head Hammer or Mallet	Grease
Small Knife	Suggested Service Kits
Brush	BK4512 10 008 Pawls
	10 038 Springs
	BK4513 100 ml Grease

Installing Winch

- Make sure mounting surface is flat.
- Check sheet entry angle. Should be at least 8° (see drawing).
- Open winch.
- Position winch on deck with drive gear where sheet enters winch drum. Mark holes.
- Remove winch and drill holes.
- Mount using six (5) 3/8" (5 mm) flathead machine screws.
- Apply bedding compound. Bolt winch to boat.
- Clean excess bedding compound from base drain holes.
- Lubricate and close winch.

Minimum/Maximum Line Diameter

Harken winches feature spring-loaded self-tailing jaws which adjust automatically to the following line sizes:

Minimum	5/16" (8 mm)
Maximum	3/4" (18 mm)

Positioning Stripper Arm

- Loosen top screw (6143).
- Remove handle socket (26648).
- Lift stripper arm (37853) and position as desired.

Opening Winch

- Remove top screw (6143).
- Remove handle socket (26649).
- Remove 3 screws (6391) in stripper arm (37853).
- Remove stripper arm (37853).
- Remove 4 screws (6009) in stripper arm base (27668).
- Lift support base.
- Lift off drum.

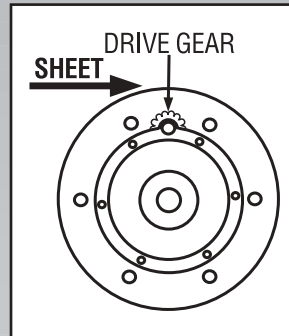
Servicing Winch

- Remove bearings from center stem.
- Drum support bearing 27588/6337/27879 cannot be removed; clean with solvent and lubricate lightly with grease.
- Remove allen screws (6432) holding center stem to base.
- Remove center stem (38650) carefully.
- Remove pawls and springs - service as below.
- Remove all bearings, gear shafts and gears.
- Service one gear shaft assembly at a time to avoid confusion.**
- Inspect plastic bushings for wear.
- Remove all pawls and springs and service (see below).
- Use brush to lubricate all gears, gear shafts, bearings, teeth and all moving parts lightly with grease.
- Replace pawls and springs and lubricate lightly with oil.
- Assemble and close winch.

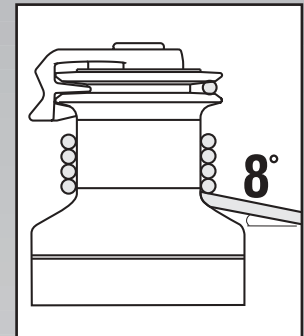
Servicing Pawls

- Catch spring with knife and hold against pawl.
- Lift out pawl.
- Clean and check for wear.
- Place spring against pawl with straight leg against pawl.
- Hold spring closed and slip pawl into pawl socket.
- Lubricate pawls using oil.

Mounting



Position drive gear where sheet enters winch drum.

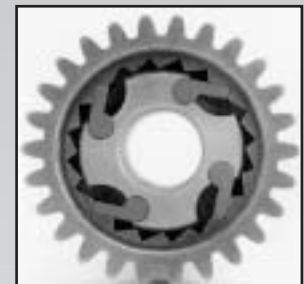


Sheet entry angle must be at least 8°.

Servicing Winch



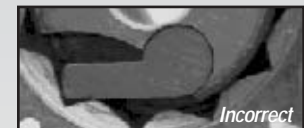
Clean all parts with solvent except 37848/37849.



Use a brush to spread a light, even coat of grease.



Correct



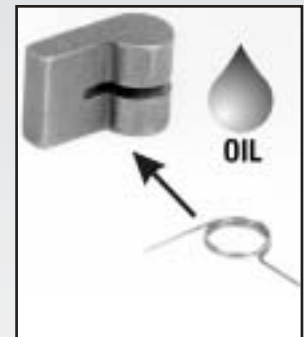
Incorrect

If ratchet gear is mounted backwards, winch will slip.

Servicing Pawls



Use knife to free captive spring.



Insert spring with straight leg against pawl. Use oil for lubrication.

4570/5-99



HARKEN