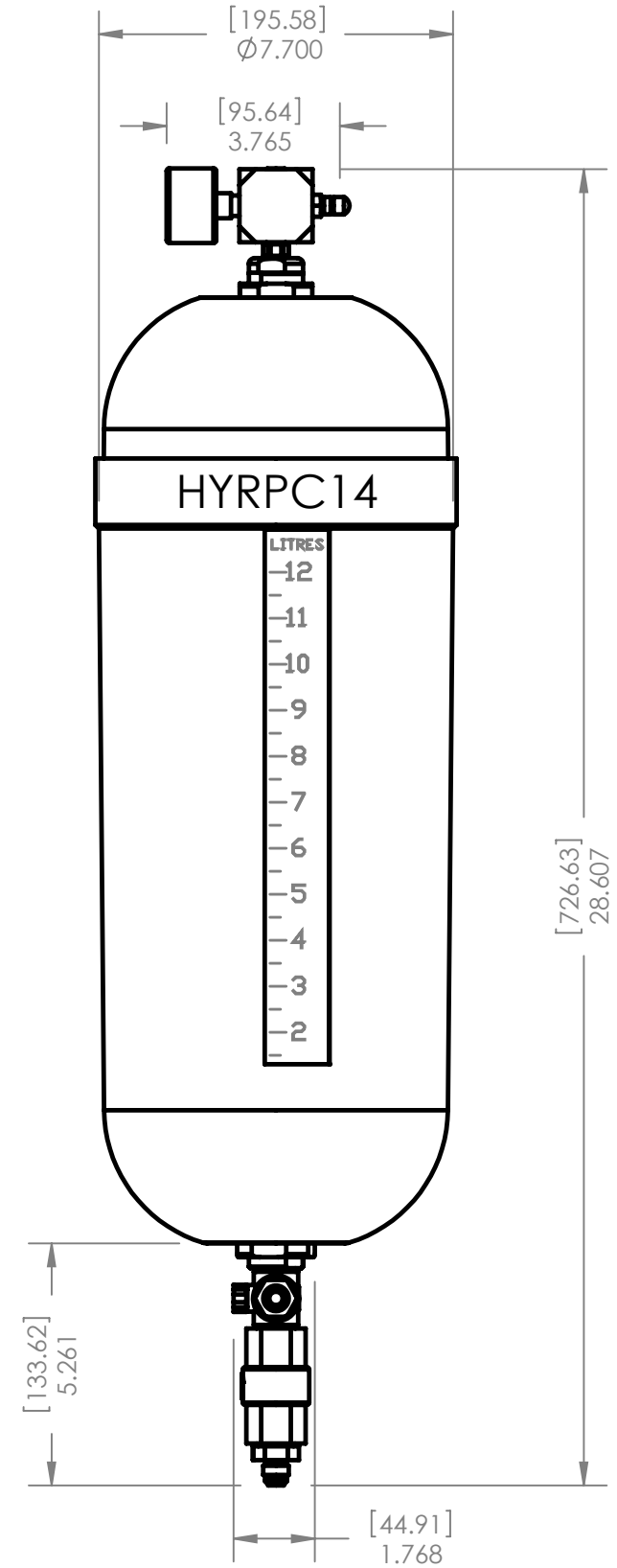
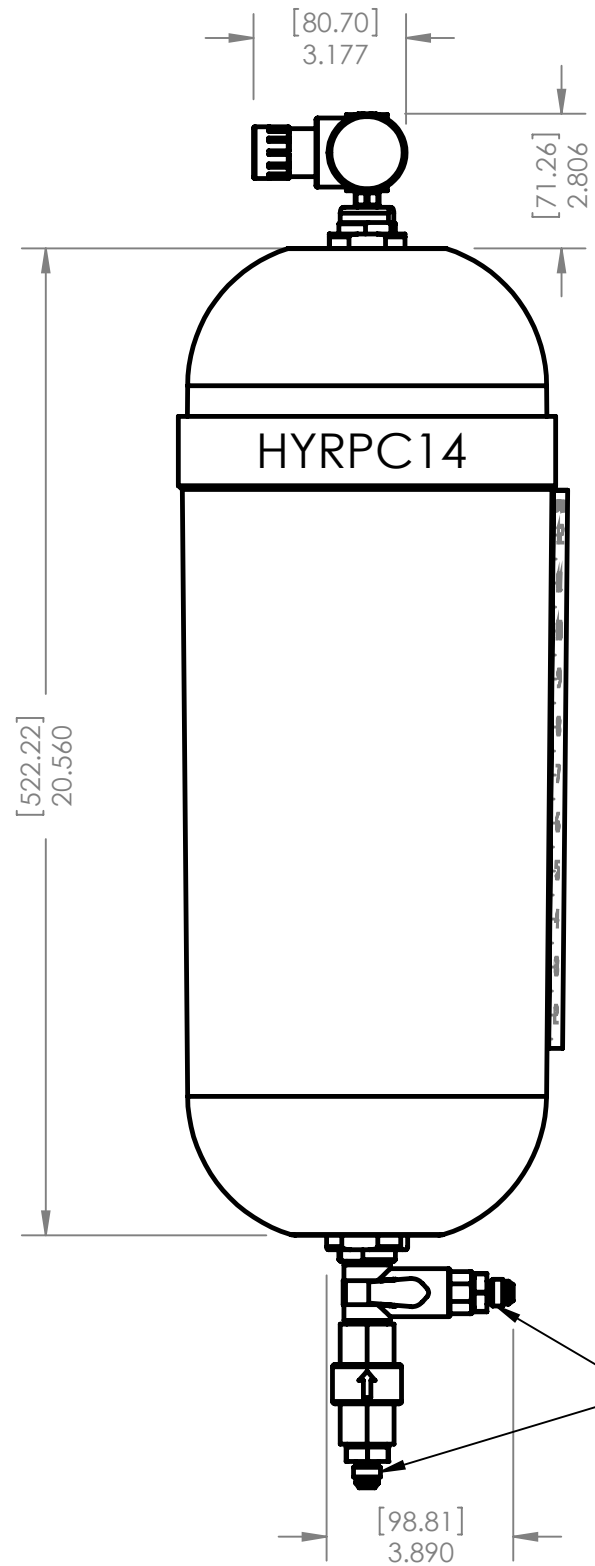
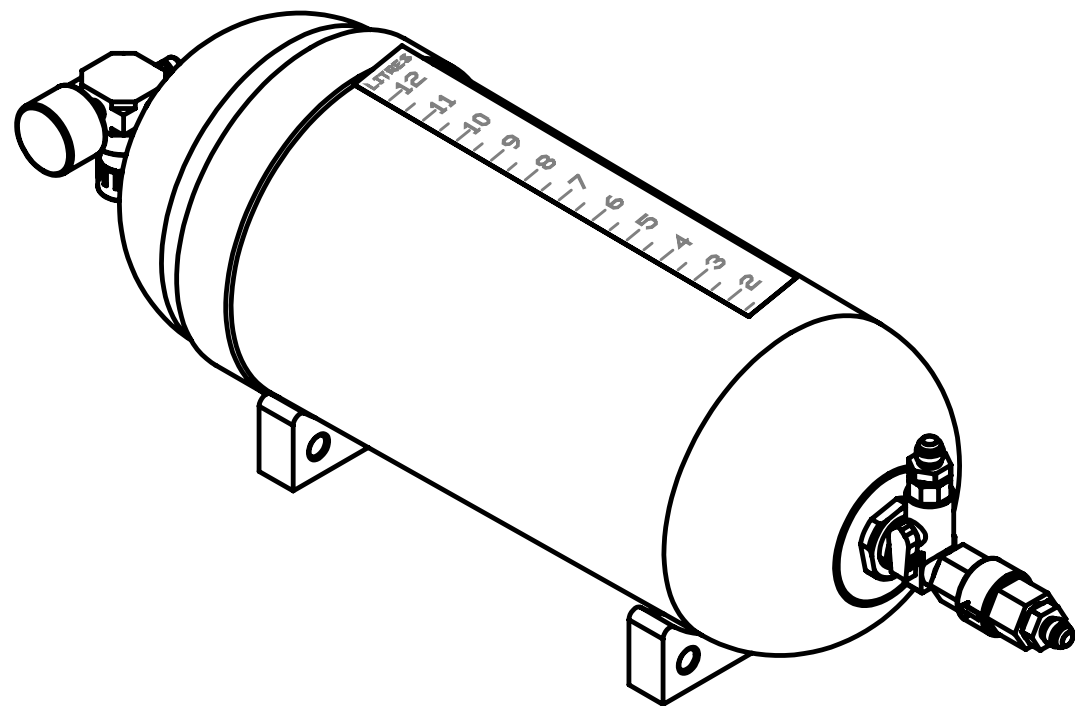
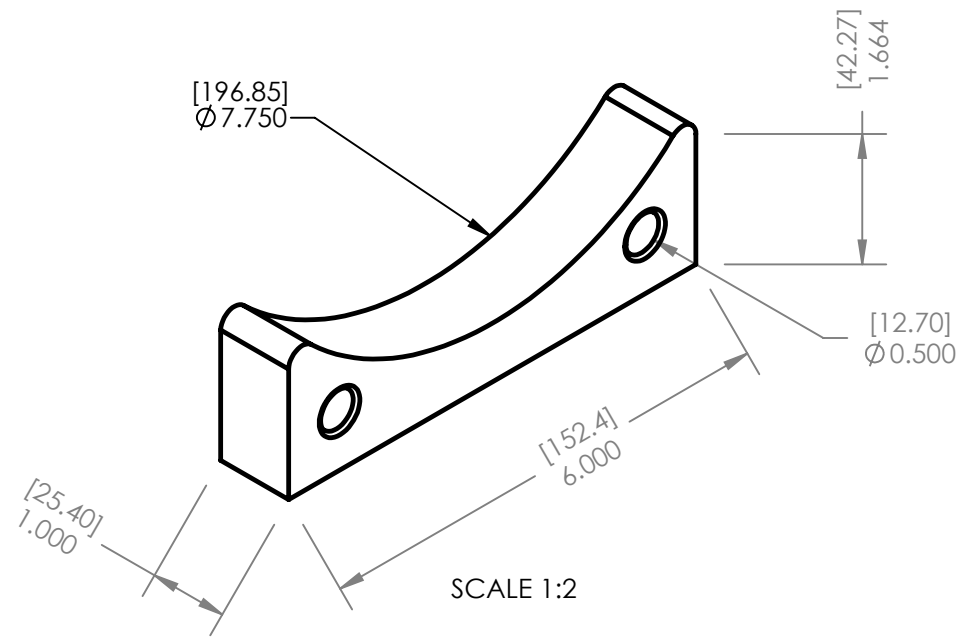


CUSTOMERS SUPPLIED MOUNTING BRACKETS.
 DETAILS SHOWN ARE FOR DEMONSTRATION PURPOSES ONLY.



<p>HARKEN INCORPORATED 1251 E. Wisconsin Avenue Pewaukee, Wisconsin 53072 262-691-3320 Fax: 262-691-3807</p>	ALL DIMENSIONS IN INCHES		HYD RESERVOIR ASSY		DRAWING NO. HYRPC14
	TOLERANCES (EXCEPT AS NOTED)		PRESSURIZED CARBON 14L		
	DECIMAL ±	ANGULAR ±	DRAWN BY MDS	MATERIAL VARIOUS	HYRPC14
	FRACTIONAL ±	HOLE DIAMETER ±	CHK'D	FINISH -	SCALE 1:4
© HARKEN YACHT EQUIPMENT DIVISION OF HARKEN, INC. The designs, constructions, arrangements, disclosures and devices illustrated in presentations bearing this note are the property of Harken, Incorporated, Pewaukee, Wisconsin and are submitted in confidence with the understanding that such material shall not be utilized in any way by any party without prior written consent from Harken, Incorporated.					